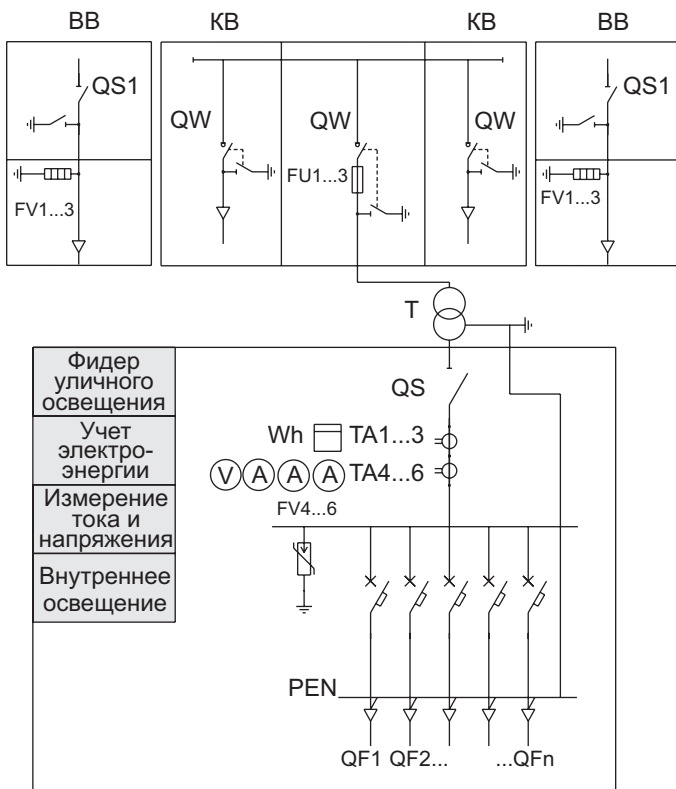


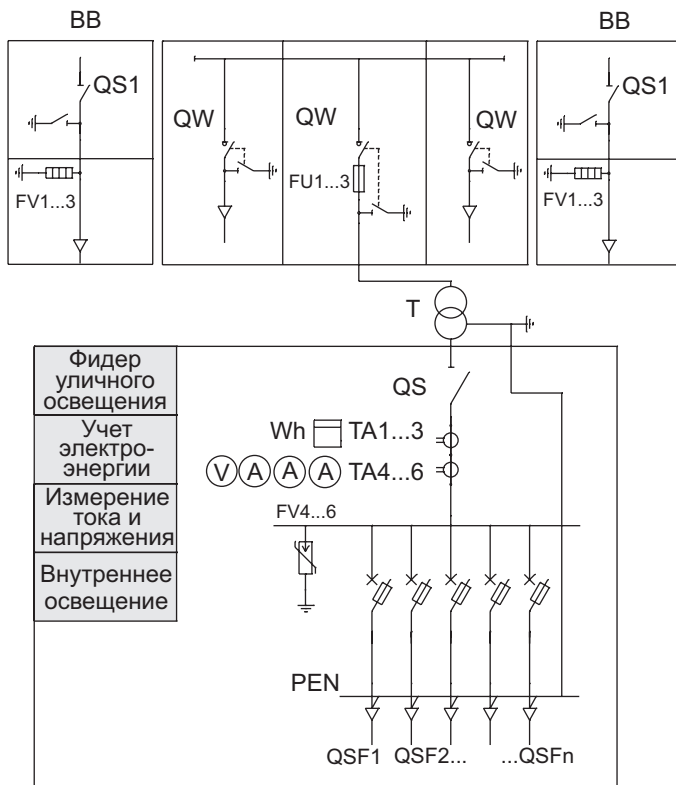
4.11. Однолинейная схема главных цепей КТПН-П 25...630 кВА.

С использованием автоматических выключателей типа ВА



Ток, А	КТПН-П, мощность, кВА							
	25	40	63	100	160	250	400	630
QF1	25	25	40	50	50	50	80	80
QF2	25	50	40	63	63	80	80	80
QF3	---	---	63	100	100	80	80	100
QF4	---	---	---	100	100	80	80	100
QF5	---	---	---	---	160	100	100	100
QF6	---	---	---	---	160	100	100	100
QF7	---	---	---	---	---	100	100	100
QF8	---	---	---	---	---	100	100	100
QF9	---	---	---	---	---	160	160	160
QF10	---	---	---	---	---	160	160	160
QF11	---	---	---	---	---	160	160	160
QF12	---	---	---	---	---	160	160	160
QF13	---	---	---	---	---	---	160	160
QF14	---	---	---	---	---	---	160	160
QF15	---	---	---	---	---	---	160	160
QF16	---	---	---	---	---	---	250	160
QF17	---	---	---	---	---	---	---	250
QF18	---	---	---	---	---	---	---	250
QF19	---	---	---	---	---	---	---	250
QF20	---	---	---	---	---	---	---	250

С использованием разъединителей серии ARS



Ток, А	КТПН-П, мощность, кВА							
	25	40	63	100	160	250	400	630
QSF1	25	25	40	50	50	50	80	80
QSF2	25	50	40	63	63	80	80	80
QSF3	---	---	63	100	100	80	80	100
QSF4	---	---	---	100	100	80	80	100
QSF5	---	---	---	---	160	100	100	100
QSF6	---	---	---	---	160	100	100	100
QSF7	---	---	---	---	---	100	100	100
QSF8	---	---	---	---	---	100	100	100
QSF9	---	---	---	---	---	160	160	160
QSF10	---	---	---	---	---	160	160	160
QSF11	---	---	---	---	---	160	160	160
QSF12	---	---	---	---	---	160	160	160
QSF13	---	---	---	---	---	---	160	160
QSF14	---	---	---	---	---	---	160	160
QSF15	---	---	---	---	---	---	160	160
QSF16	---	---	---	---	---	---	250	160
QSF17	---	---	---	---	---	---	---	250
QSF18	---	---	---	---	---	---	---	250
QSF19	---	---	---	---	---	---	---	250
QSF20	---	---	---	---	---	---	---	250